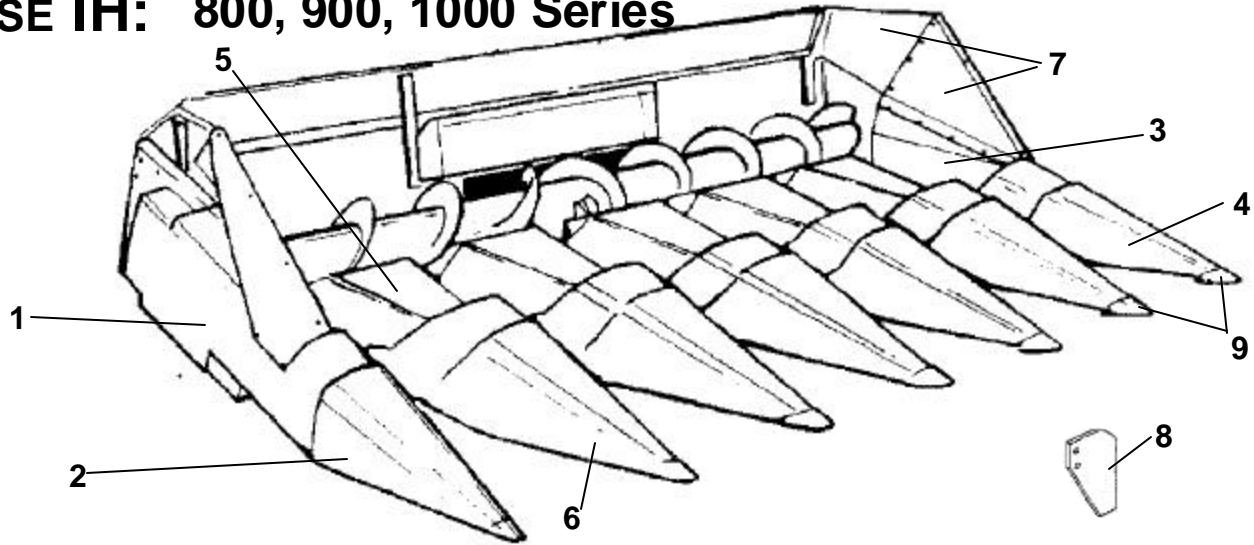


Index.....

<u>Contents</u>	<u>Page</u>
Case-IH Plastic Replacements for OEM Gatherers	1
JD Plastic Replacements for OEM Gatherers.....	2
Case-IH Polytin Complete Head Conversions.....	3
Case-IH Polytin III Complete Head Conversions.....	3
JD Polytin Complete Heads Conversions.....	4
JD Polytin III Complete Heads 20 & 22".....	4
New Holland Polytin Complete Head Conversions.....	5
Agco: Hugger Polytin Complete Head Conversions.....	5
Case-IH Row Unit - Sprockets & Chains.....	6
Case-IH Row Unit - Deck Plates & Knives.....	7
Case-IH Row Unit - Stalk Roll Bushings & Drive Shafts.....	8
Case-IH Stalk Roll Update Kit & Parts	8
Case-IH Hydraulic Deck Plate Kits.....	9
Case-IH Row Unit - 800 Series Gear Box.....	10
Case IH Row Unit - 900, 1000 Gear Box.....	11
Case-IH Idler Support Update Kit.....	12
Case-IH Auger Bearings & Auger Liner Kits.....	12
JD Row Unit - Sprockets & Chains.....	13
JD Row Unit - Stalk Roll & Deck Plates.....	14
JD Row Unit - Gearbox & Shaft.....	15
JD Hydraulic Deck Plate Kits.....	16
JD Drive Shield, Auger Liner & Wedge Kit.....	17
JD Wedge Kit with PTO Shaft.....	18
Gleaner & Massey Ferguson Gathering Chains & Sprockets.....	19
New Holland & New Idea Gathering Chains & Sprockets.....	20

CASE-IH PLASTIC REPLACEMENTS FOR OEM GATHERERS

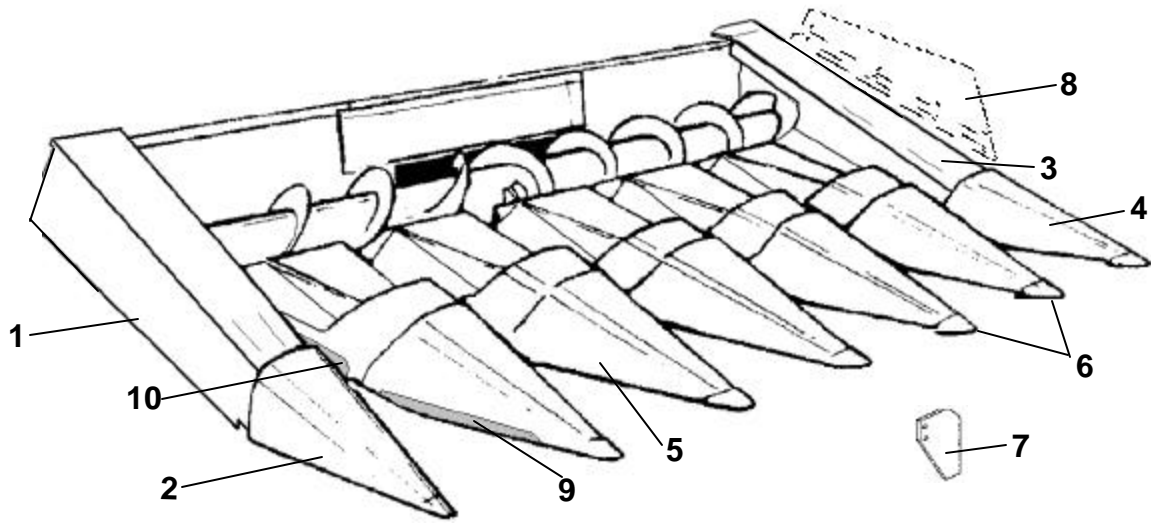
CASE IH: 800, 900, 1000 Series



ITEM #	PART #	DESCRIPTION	APPLICATION	REPLACES OEM#
1	PRHF-90A	Right Hand Outer Fender	800, 900 & 1000 Series	176192C3, 199504C2
2	PRHS-90A	Right Hand Outer Snout w/Point	800, 900 & 1000 Series	176234C93
3	PLHF-90A	Left Hand Outer Fender	800, 900 & 1000 Series	179191C3, 199503C2
4	PLHS-90A	Left Hand Outer Snout w/Point	800, 900 & 1000 Series	176233C93
5	PD30-98A	Left Hand Center Divider - 28" or 30" Right Hand Center Divider - 28" or 30"	800 Series	1345370C1, 179481C2 1345371C1, 176181C2
	PD30-90A	Center Divider - 30"	900 & 1000 Series	1345363C1
	PD36-98A	Left Hand Center Divider - 36" Right Hand Center Divider - 36"	800 Series	176463C2 176164C2
	PD36-90A	Left Hand Center Divider - 36" Right Hand Center Divider - 36"	900 & 1000 Series	1345361C1 199545C2
6	PS30-90A	Narrow Row Center Snout w/Point - 28" or 30"	800, 900 & 1000 Series	176228C94
	PS36-90A	Wide Row Center Snout w/Point - 36"	800, 900 & 1000 Series	176221C94
7	PCT90A	Tall Corn Fender Shield Kit	800, 900 & 1000 Series	199301C1, 199302C1, 199303C1, 199304C1, 1306120C1, 1306121C1
8	PF100	Rubber Ear Saver	800, 900 & 1000 Series & Polytin Heads	199097C3
9	VH71364963NP	Plastic Wear Tip for Polytin - Black	800, 900 & 1000 Series	Polytin Heads Only
	VH71364963	Cast Wear Tip for Polytin - Black	800, 900 & 1000 Series	Polytin Heads Only
	VH71364963-W	Plastic Wear Tip for Polytin - White	800, 900 & 1000 Series	Polytin Heads Only

JD PLASTIC REPLACEMENTS FOR OEM GATHERERS

JOHN DEERE: 40 & 90 Series

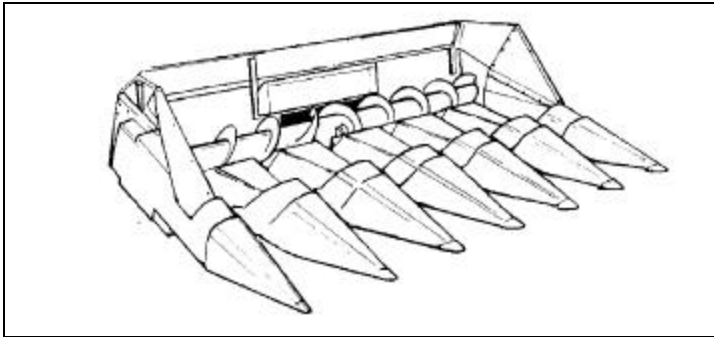


ITEM #	PART #	DESCRIPTION	APPLICATION	REPLACES OEM#
1	PRHF-40A	Right Hand Outer Fender	Low-Tin 40 Series - S/N 380601 & Up	AH97796, AH102066
2	PRHS-40A	Right Hand Outer Snout	Low-Tin 40 Series - S/N 380601 & Up	AH103030, AH112118, AH115402
3	PLHF-40A	Left Hand Outer Fender	Low-Tin 40 Series - S/N 380601 & Up	AH97797
4	PLHS-40A	Left Hand Outer Snout	Low-Tin 40 Series - S/N 380601 & Up	AH103031, AH112119, AH115403
5	PSO30-40A	Narrow Row Center Snout w/Point Replacement onto Steel Divider - 30"	40 Series	AH129764, AH105377
	PSO36-40A	Wide Row Center Snout w/Point Replacement onto Steel Divider - 36", 38", 40"	40 Series	AH129766, AH105379
6	VHH148121-P	Plastic Replacement Tip - Black	40 Series w/Perma-Glide 90 Series	H148121
	VHH148121-YP	Plastic Replacement Tip - Yellow	40 Series w/Perma-Glide 90 Series	
	VH71364963NP	Plastic Wear Tip for Polytin - Black	40 Series	Polytin Heads Only
	VH71364963	Cast Wear Tip for Polytin - Black	40 Series	Polytin Heads Only
	VH71364963-W	Plastic Wear Tip for Polytin - White	40 Series	Polytin Heads Only
7	PF100	Rubber Ear Saver	40 Series & Polytin Heads	H166582
8	PCT-40	Tall Corn Shield	Low-Tin 40 Series	AH110774
9	VHAH146577WS	Wear Strip Set - JD 30" OE Snout	90 Series S/N (-695300)	N/A
	VHAH168313WS	Wear Strip Set - JD 30" OE Snout	90 Series S/N (695301-)	N/A
10	VHAH141628WS	Wear Strip Set - JD 30" OE Divider	90 Series S/N (-695300)	N/A
	VHAH160065WS	Wear Strip Set - JD 30" OE Divider	90 Series S/N (695301-)	N/A

CASE-IH POLYTIN COMPLETE HEAD CONVERSIONS

CASE IH: 800, 900, 1000 Series

MOUNTING HARDWARE INCLUDED IN KITS



TALL CORN FENDER SHIELDS SOLD SEPARATELY
SEE PAGE 1, REFERENCE 7

PART #	DESCRIPTION
4-3090A	4 Row - 30" Complete Assembly 900-1000 Series
4-3098A	4 Row - 30" Complete Assembly 800 Series
6-3090A	6 Row - 30" Complete Assembly 900-1000 Series
6-3098A	6 Row - 30" Complete Assembly 800 Series
8-3090A	8 Row - 30" Complete Assembly 900-1000 Series
8-3098A	8 Row - 30" Complete Assembly 800 Series
12-3090A	12 Row - 30" Complete Assembly 900-1000 Series
12-3098A	12 Row - 30" Complete Assembly 800 Series
4-3690A	4 Row - 36" Complete Assembly 900-1000 Series
4-3698A	4 Row - 36" Complete Assembly 800 Series
6-3690A	6 Row - 36" Complete Assembly 900-1000 Series
6-3698A	6 Row - 36" Complete Assembly 800 Series
8-3690A	8 Row - 36" Complete Assembly 900-1000 Series
8-3698A	8 Row - 36" Complete Assembly 800 Series
12-3690A	12 Row - 36" Complete Assembly 900-1000 Series
12-3698A	12 Row - 36" Complete Assembly 800 Series

CASE-IH POLYTIN III COMPLETE HEADS CONVERSIONS

CASE IH: 800, 900, 1000 Series

MOUNTING HARDWARE INCLUDED IN KITS

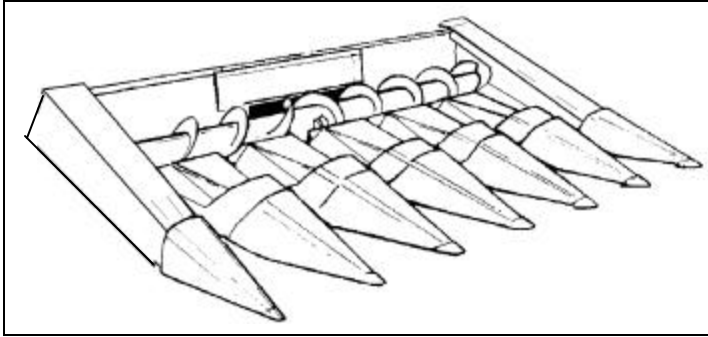
JackKnife Design

PART #	DESCRIPTION
PIII8-2090	8 Row 20", 22" Complete Assembly
PIII10-2090	10 Row 20", 22" Complete Assembly
PIII12-2090	12 Row 20", 22" Complete Assembly
PIII16-2090	16 Row 20", 22" Complete Assembly
PIII18-2090	18 Row 20", 22" Complete Assembly
4-3090JA	900-1000 Series 30" 4 Row Jack Knife Complete Assembly
6-3090JA	900-1000 Series 30" 6 Row Jack Knife Complete Assembly
8-3090JA	900-1000 Series 30" 8 Row Jack Knife Complete Assembly
12-3090JA	900-1000 Series 30" 12 Row Jack Knife Complete Assembly

JD POLYTIN COMPLETE HEAD CONVERSIONS

JOHN DEERE: 40 Series

MOUNTING HARDWARE INCLUDED IN KITS



PART #	DESCRIPTION
4-30JDA	4 Row 30" Complete Assembly
6-30JDA	6 Row 30" Complete Assembly
8-30JDA	8 Row 30" Complete Assembly
10-30JDA	10 Row 30" Complete Assembly
12-30JDA	12 Row 30" Complete Assembly
4-36JDA	4 Row 36" Complete Assembly
6-36JDA	6 Row 36" Complete Assembly
8-36JDA	8 Row 36" Complete Assembly
12-36JDA	12 Row 36" Complete Assembly
4-38JDA	4 Row 38" Complete Assembly
6-38JDA	6 Row 38" Complete Assembly
8-38JDA	8 Row 38" Complete Assembly
4-40JDA	4 Row 40" Complete Assembly
6-40JDA	6 Row 40" Complete Assembly
8-40JDA	8 Row 40" Complete Assembly



POLYTIN™ III JACK KNIFE

PART #	DESCRIPTION
4-30JDJA	4 Row 30" Complete Assembly
6-30JDJA	6 Row 30" Complete Assembly
8-30JDJA	8 Row 30" Complete Assembly
10-30JDJA	10 Row 30" Complete Assembly
12-30JDJA	12 Row 30" Complete Assembly

JD POLYTIN III COMPLETE HEADS 20" & 22"

JOHN DEERE: 40, 90 Series

MOUNTING HARDWARE INCLUDED IN KITS

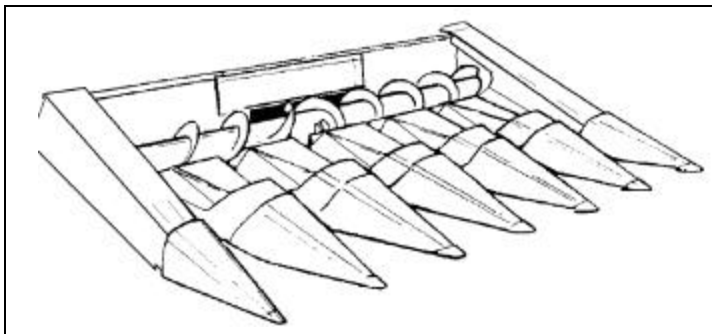
PART #	DESCRIPTION
PIII8-2040	8 Row 20", 22" Complete Assembly
PIII10-2040	10 Row 20", 22" Complete Assembly
PIII12-2040	12 Row 20", 22" Complete Assembly
PIII16-2040	16 Row 20", 22" Complete Assembly
PIII18-2040	18 Row 20", 22" Complete Assembly

JackKnife Design

NEW HOLLAND POLYTIN COMPLETE HEAD CONVERSIONS

NEW HOLLAND: 974 Series

MOUNTING HARDWARE INCLUDED IN KITS



PART #	DESCRIPTION
4-3030A	4 Row 30" Complete Assembly
6-3030A	6 Row 30" Complete Assembly
8-3030A	8 Row 30" Complete Assembly
10-3030A	10 Row 30" Complete Assembly
12-3030A	12 Row 30" Complete Assembly

AGCO: HUGGER POLYTIN COMPLETE HEAD CONVERSIONS

Agco: Hugger Heads Only

MOUNTING HARDWARE INCLUDED IN KITS

PART #	DESCRIPTION
PIII8-2060	8 Row - 20" & 22" Complete Assembly
PIII10-2060	10 Row - 20" & 22" Complete Assembly
PIII12-2060	12 Row - 20" & 22" Complete Assembly
PIII16-2060	16 Row - 20" & 22" Complete Assembly

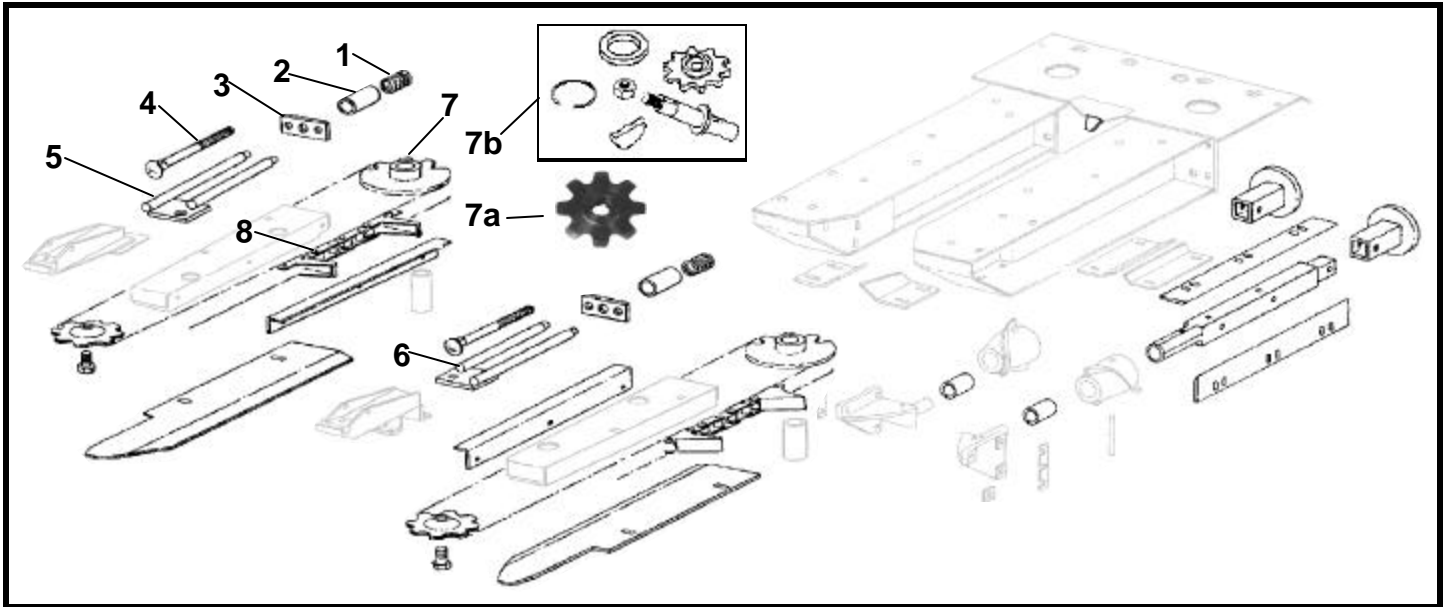
Jackknife Design



Polytin™ Spiral Fender Kit - Hydraulic driven spiral augers are the answer to down corn conditions.

Available for most makes of Corn Head.
Call for more information and pricing.

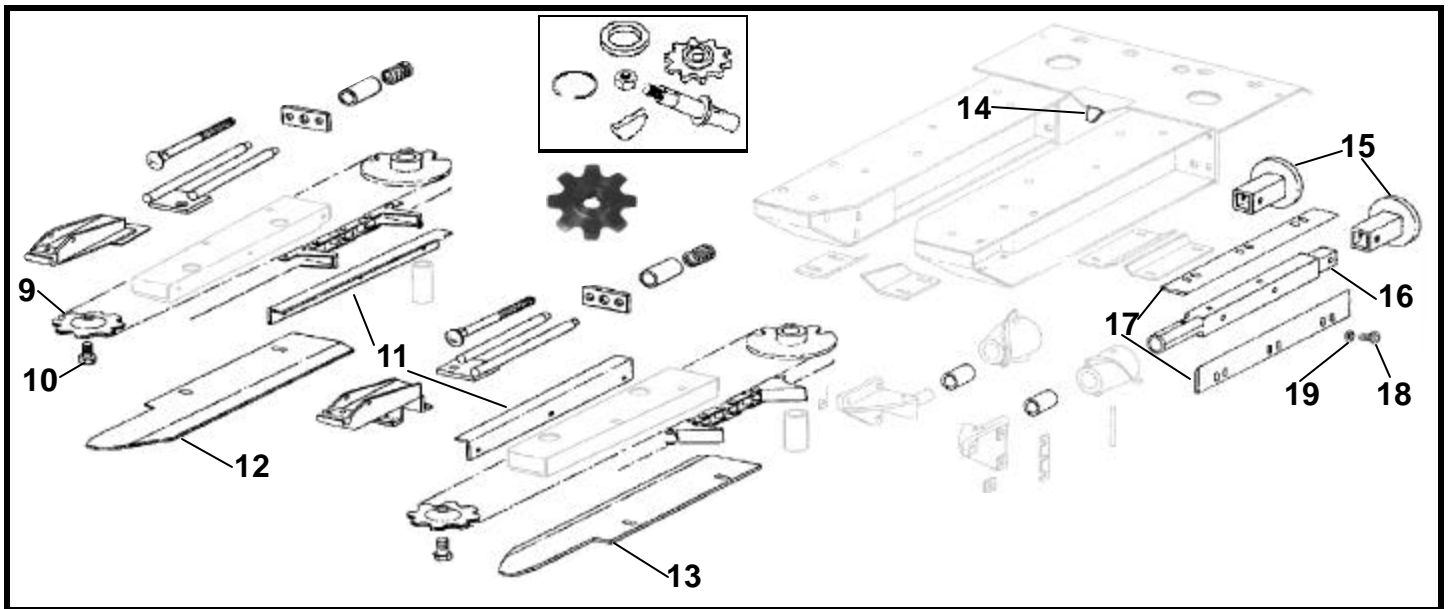
CASE-IH ROW UNIT - SPROCKETS & CHAINS



ITEM #	PART #	DESCRIPTION	APPLICATION	REPLACES	WEIGHT
1	VH1306150C1	Gathering Chain Idler Tension Spring	900, 1000 Series	1306150C1	
2	VH199829C1	Gathering Chain Idler Adjusting Spacer	900, 1000 Series	199829C1	.42
3	VH176290C1	Gathering Chain Idler Adjusting Plate	800, 900, 1000 Series	176290C1	.22
4	VH199542C1	Gathering Chain Idler Adjusting Bolt	900, 1000 Series	176282C1	
5	VH176287C2	Gathering Chain Idler Sprocket Bracket RH	800, 900, 1000 Series	176287C2	3.67
6	VH176286C2	Gathering Chain Idler Sprocket Bracket LH	800, 900, 1000 Series	176286C2	3.67
7	VH176278C1	Gathering Chain Drive Sprocket 10 Tooth	800 Series	176278C1	
7	VH199497C1	Gathering Chain Drive Sprocket 10 Tooth	900, 1000 Series	199497C1	3.2
	VH86837081-G	Gathering Chain Drive Sprocket 7 Tooth	CNH 2200 Series	86837081	
7a	VH199497-8T	Gathering Chain Drive Sprocket 8 Tooth (Special - Slow down chain by 25%) Has Both Roll Pin & Keyway	800, 900, 1000 Series	N/A	2.6
7b	VH176371KIT-A	800 Series Top Shaft Conversion Kit Changes 800 Drive to 900/1000 Keyed Style (Contains 1 each of Sprocket, Shaft, Snap Ring, Woodruff Key, Nut & Oil Seal)	800 Series	N/A	5.1
8	VHAN102009	Gathering Chain	800, 900, 1000 Series	176279C91	9.7
	VH654164R91	Gathering Chain	227, 228, 229, 428, 430, 724, 733, 734, 744, 328N, 329N, 429, 429N, 430N, 327WN, 620N, 630N, 762, 763, 764, 782		10.3

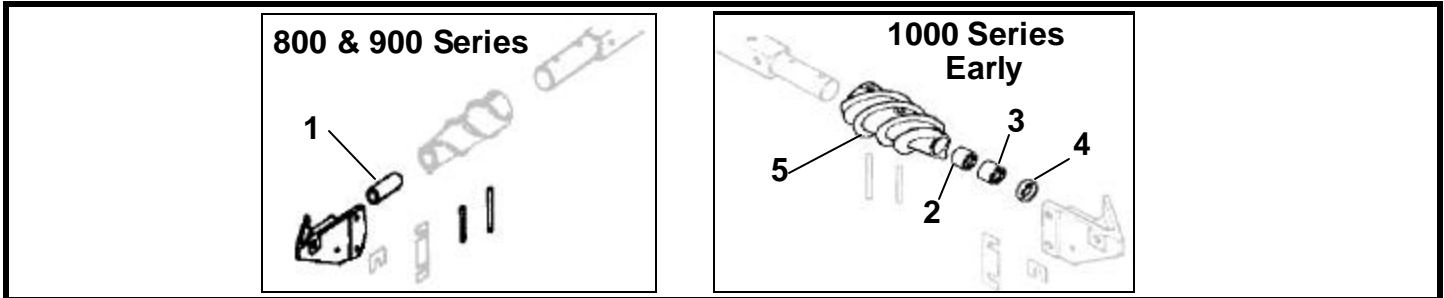
Continued Page 7

CASE-IH ROW UNIT - DECK PLATES & KNIVES



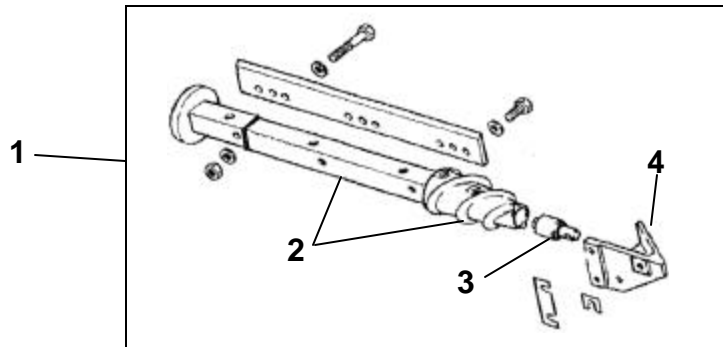
ITEM #	PART #	DESCRIPTION	APPLICATION	REPLACES	WEIGHT
9	VHAH101219-N	Idler Sprocket - Greasable	800, 900, 1000 Series		1.7
	VHAN102448-N	Idler Sprocket - Non-Greasable Sealed Bearing	800, 900, 1000 Series	176283C1	1.7
10	VH176284C1	Idler Sprocket Support Bolt	800, 900, 1000 Series	176284C1	.1
	VHP5/8JNT	Idler Sprocket Support Nut	800, 900, 1000 Series	124847	.1
	VHP5/8LW	Idler Sprocket Support Lock Washer	800, 900, 1000 Series	121574	.1
11	VH176280C1-N	Chain Guide	800 Series	176280C1	2.8
	VH1347176C1-N	Chain Guide	900, 1000 Series	1347176C1	2.6
12	VH176292C91-N	RH Deck Plate	800 Series	176292C91	8.3
	VH199382C1-N	RH Deck Plate	900, 1000 Series	199382C1	6.2
13	VH176291C91-N	LH Deck Plate	800 Series	176291C91	8.3
	VH199381C1-N	LH Deck Plate	900, 1000 Series	199381C1	6.2
14	VH1306207C1	Weld In Weed Bar	800, 900, 1000 Series		.2
15	VH176301C1	Snapping Roll Drive Coupler	800, 900, 1000 Series	176301C1	4
16	VH199293C5	Stalk Roll Shaft	1000 Series Early	199293C5	11.5
17	VH176304C2-N	Stalk Roll Knife	800 Series	176304C1	2.6
	VH1327126C1-N	Stalk Roll Knife	900, 1000 Series	1327126C1	2.5
18	VHP1/2X1CSF	Stalk Roll Knife Bolt - Grade 8	800, 900, 1000 Series	326-816	.1
19	VHP1/2FW8	Stalk Roll Knife Washer	800, 900, 1000 Series	496-21053	.1

CASE-IH ROW UNIT - STALK ROLL BUSHINGS & DRIVE SHAFTS



ITEM #	PART #	DESCRIPTION	APPLICATION	REPLACES	WEIGHT
1	VH176311C1-N	Stalk Roll Support Bearing	800, 900 Series	176311C1	.1
2	VH308674R1-N	Stalk Roll Support Rear Bearing	1000 Series Early (-JJC146000)	308674R1	.1
3	VH630836C91-N	Stalk Roll Support Front Bearing	1000 Series Early (-JJC146000)	630836C91	.1
4	VH1327151C1-N	Stalk Roll Support Bushing	1000 Series Early (-JJC146000)	1327151C1	.1
5	VH1306729C2-N	Stalk Roll Cone Right Hand	1000 Series Late (-JJC014599)	1989222C1	.1
5	VH1306728C2-N	Stalk Roll Cone Right Hand	1000 Series Late (-JJC014599)	1327204C1	3.6

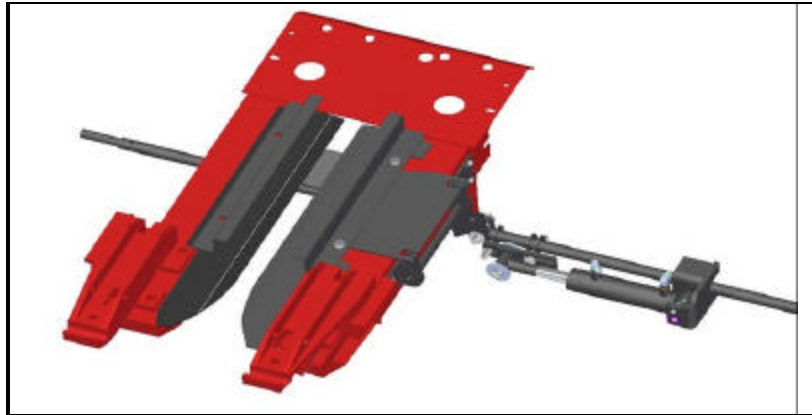
CASE-IH STALK ROLL UPDATE KIT & PARTS



ITEM #	PART #	DESCRIPTION	APPLICATION	REPLACES
1	VHIH1000SRK	Stalk Roll Update Kit (Includes All Illustrated Items for 1 Row.)	900 or 1000 Series	
2	VH1327209C1-N	Stalk Roll Auger & Shaft Assembly Right Hand - with Bearing	1000 Series (JJC014600-)	1327209C2
2	VH1327208C1-N	Stalk Roll Auger & Shaft Assembly Left Hand - with Bearing	1000 Series (JJC014600-)	1327208C1
3	VH1989222C1-N	Stalk Roll Support Bearing (Water Pump Style)	1000 Series (JJC014600-)	1989222C2
4	VH352551A1-N	Stalk Roll Auger - Right Hand	1000 Series (JJC014600-)	352551A1
4	VH352552A1-N	Stalk Roll Auger - Left Hand	1000 Series (JJC014600-)	352552A1

Shafts, Couplers & Knives listed on Page 7

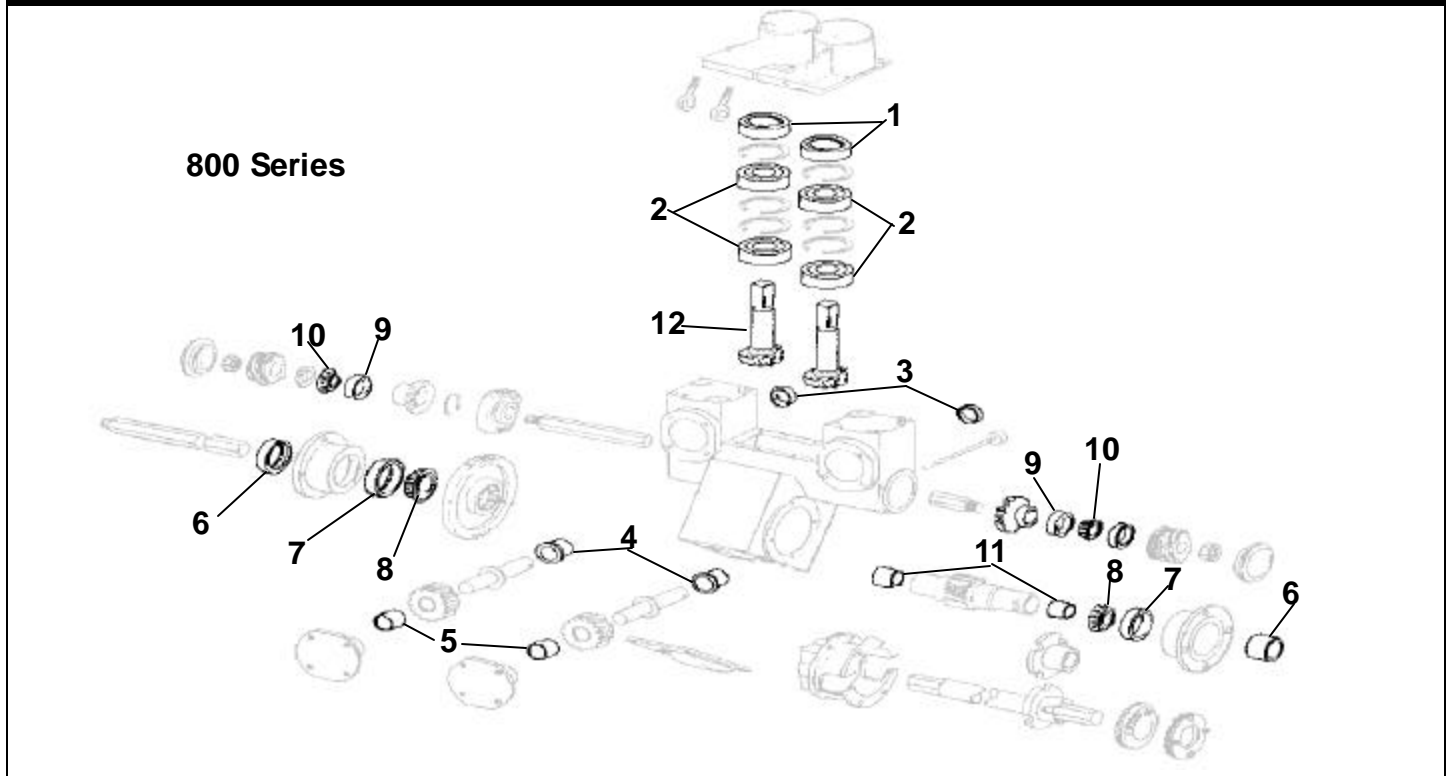
CASE-IH HYDRAULIC DECK PLATE KITS



Today's new hybrid corn has a great variance in the stalk thickness, and changing your deck plate width is time consuming. Newer heads with hydraulic adjusting deck plates are expensive. You hate to trade off the head you have as you have it in great working condition. You can update the head you have by adding hydraulic adjusting deck plates produced by VH MFG, Inc.

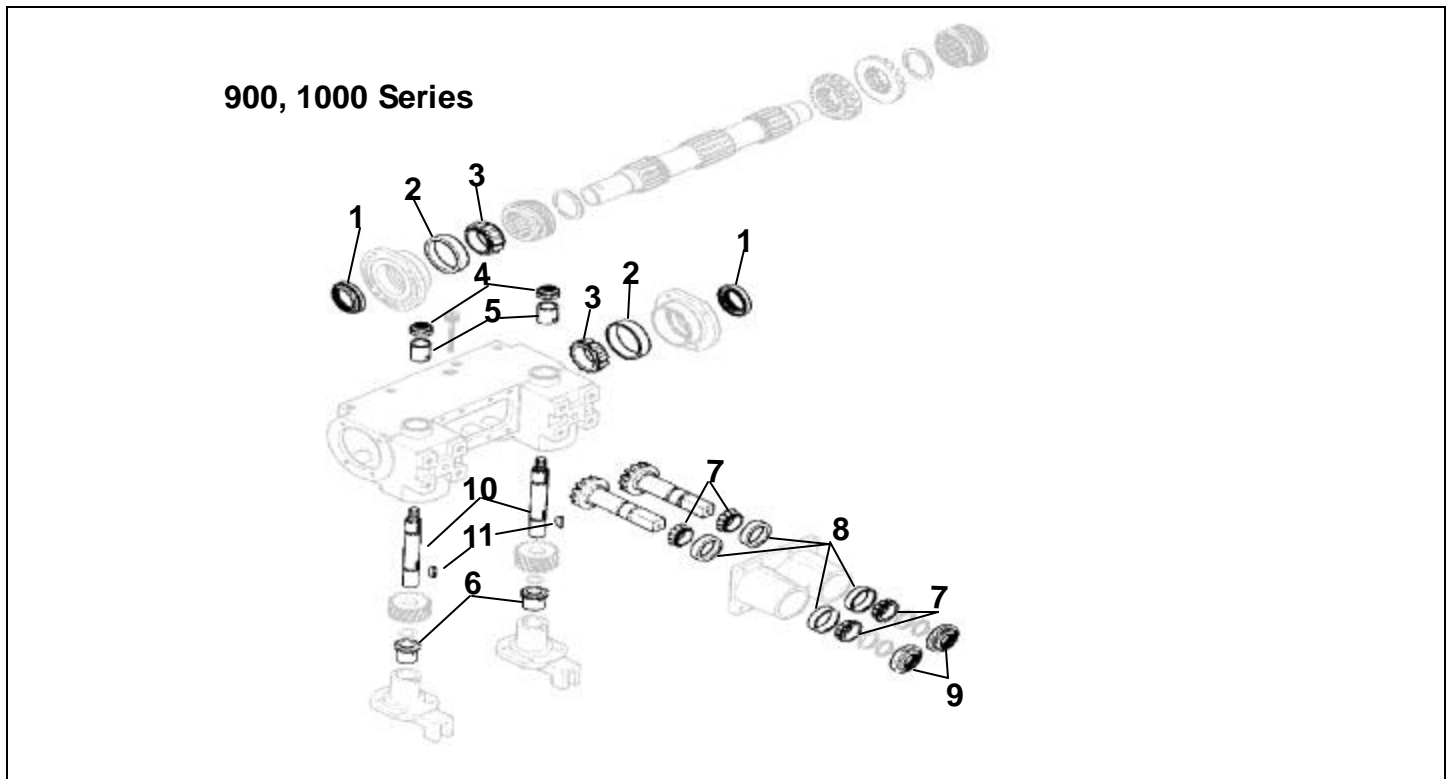
PART #	DESCRIPTION	APPLICATION
IHHDK6-20	IH 20" 6 Row Conversion Kit	962, 1062
IHHDK8-20	IH 20" 8 Row Conversion Kit	982, 1082
IHHDK12-20	IH 20" 12 Row Conversion Kit	
IHHDK4-30	IH 30" 4 Row Conversion Kit	943, 1043
IHHDK6-30	IH 30" 6 Row Conversion Kit	963, 1063
IHHDK8-30	IH 30" 8 Row Conversion Kit	983, 1083
IHHDK12-30	IH 30" 12 Row Conversion Kit	
IHHDK4-36	IH 36" 4 Row Conversion Kit	944, 1044
IHHDK6-36	IH 36" 6 Row Conversion Kit	964, 1064
IHHDK8-36	IH 36" 8 Row Conversion Kit	984, 1084
IHHDK12-36	IH 36" 12 Row Conversion Kit	
IHHDK4-38	IH 38" 4 Row Conversion Kit	
IHHDK6-38	IH 38" 6 Row Conversion Kit	
IHHDK8-38	IH 38" 8 Row Conversion Kit	
IHHDK12-38	IH 38" 12 Row Conversion Kit	
IHHDK4-40	IH 40" 4 Row Conversion Kit	
IHHDK6-40	IH 40" 6 Row Conversion Kit	
IHHDK8-40	IH 40" 8 Row Conversion Kit	
IHHDK12-40	IH 40" 12 Row Conversion Kit	

CASE-IH ROW UNIT - 800 SERIES GEAR BOX



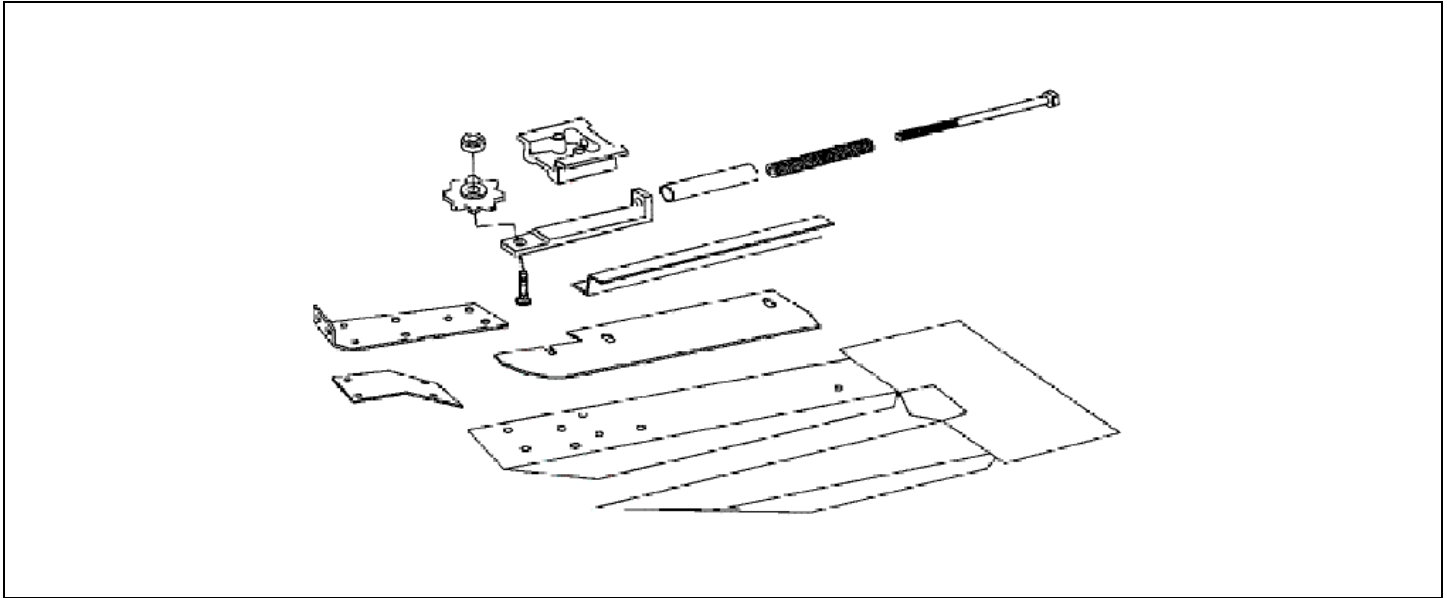
ITEM #	PART #	DESCRIPTION	QTY PER ROW	REPLACES	WEIGHT
	IH800GBBK	Row Unit Gearbox Bearing Kit	1		
1	VH176368C91-N	Stalk Roll Driven Shaft Oil Seal	2	176368C91	.1
2	VHST205A-N	Stalk Roll Driven Shaft Bearing	4	ST205A	.63
3	VH381721R91-N	Gathering Chain Drive Shaft Oil Seal	2	381721R91	.1
4	VH176357C1-N	Gathering Chain Drive Shaft Upper Bearing	2	176357C1	.1
5	VH176374C1-N	Gathering Chain Drive Shaft Lower Bearing	2	176374C1	.1
6	VH176386C91-N	Drive Gear Shaft Oil Seal	2	176386C91	.1
7	VH376463C1-N	Drive Gear Shaft Bearing Cup	2	376463C1	
8	VH533729R91-N	Drive Gear Shaft Bearing Cone	2	533729R91	
9	VH663558R1-N	Drive Gear Bearing Cup	2	633558R1	
10	VH663557R91-N	Drive Gear Bearing Cone	2	663557R91	
11	VH176429C1-N	Row Drive Gear Shaft Bushing	2	176429C1	
12	VH199308C1	Stalk Roll Drive Gear Set	2	199308C1	4.44

CASE-IH ROW UNIT - 900, 1000 SERIES GEAR BOX



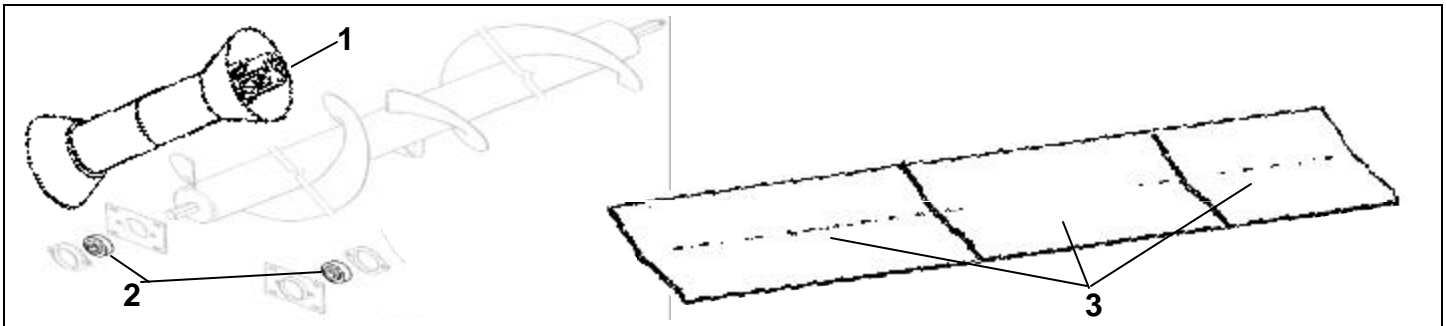
ITEM #	PART #	DESCRIPTION	QTY PER ROW	REPLACES	WEIGHT
	VH9001000GBBK	Row Unit Gear Box Bearing Kit	1		
1	VH176386C91-N	Stalk Roll Drive Gear Shaft Oil Seal	2	176386C91	
2	VH376463C1-N	Stalk Roll Drive Gear Bearing Cup	2	376463C1	
3	VH533729R91-N	Stalk Roll Drive Gear Bearing Cone	2	533729R91	
4	VH199491C1-N	Drive Sprocket Shaft Oil Seal	2	199491C1	
5	VH199479C3-N	Drive Sprocket Shaft Upper Bushing	2	199479C3	
6	VH176357C1-N	Drive Sprocket Shaft Lower Bushing	2	176357C1	
7	VH536053R91-N	Stalk Roll Driven Shaft Bearing Cone	4	536053R91	
8	VH536054R1-N	Stalk Roll Driven Shaft Bearing Cup	4	536054R1	
9	VH199884C1-N	Stalk Roll Driven Shaft Oil Seal	2	199884C1	
10	VH199490C2	Drive Sprocket Shaft	2	199490C2	
11	VH124553-N	Drive Sprocket Shaft Woodruff Key	2	124553	

CASE-IH IDLER SUPPORT UPDATE KIT



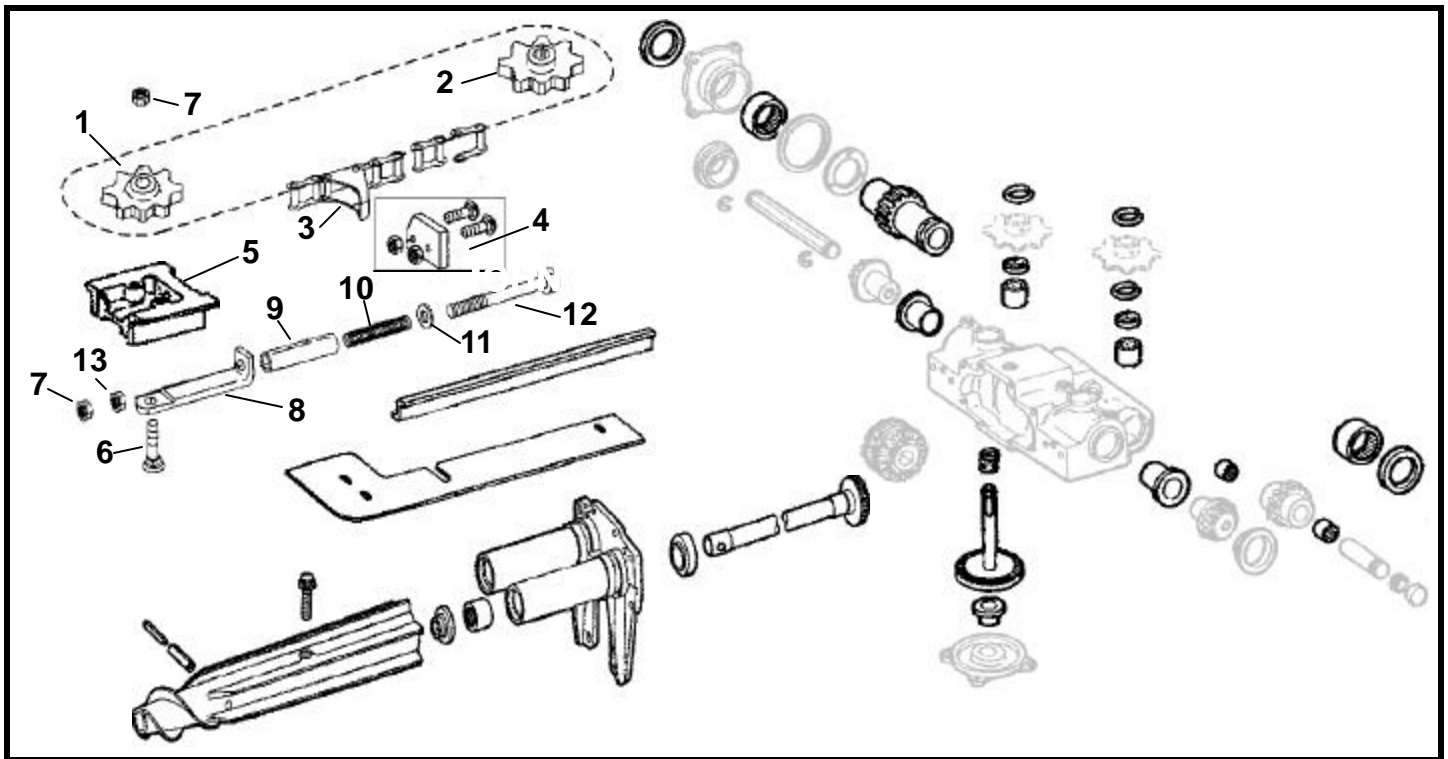
PART #	DESCRIPTION	APPLICATION	REPLACES	WEIGHT
IHC1000-KIT	IH 900-1000 Gathering Chain Idler Change Over Kit	900, 1000 Series	NA	

CASE-IH AUGER BEARINGS & AUGER LINER KITS



ITEM #	PART #	DESCRIPTION	APPLICATION
1	VHM20232	PTO Shaft Assembly with Hex Shaft Ends	All Heads
	VHM23796	PTO Shaft Assembly with Hex Clamp End & 21 Spline Coupled End	All Heads
2	VH207KRRB12	Auger & Drive Hex Shaft Ball Bearing 1-1/8"	All Heads
3	4-30-AL	4 Row UHMW Auger Liner Kit - 30"	800, 900, 1000 Series
	6-30-AL	6 Row UHMW Auger Liner Kit - 30"	800, 900, 1000 Series
	8-30-AL	8 Row UHMW Auger Liner Kit - 30"	800, 900, 1000 Series
	12-30-AL	12 Row UHMW Auger Liner Kit - 30"	800, 900, 1000 Series
	4-36-AL	4 Row UHMW Auger Liner Kit - 36"	800, 900, 1000 Series
	6-36-AL	6 Row UHMW Auger Liner Kit - 36"	800, 900, 1000 Series
	8-36-AL	8 Row UHMW Auger Liner Kit - 36"	800, 900, 1000 Series
	12-36-AL	12 Row UHMW Auger Liner Kit - 36"	800, 900, 1000 Series

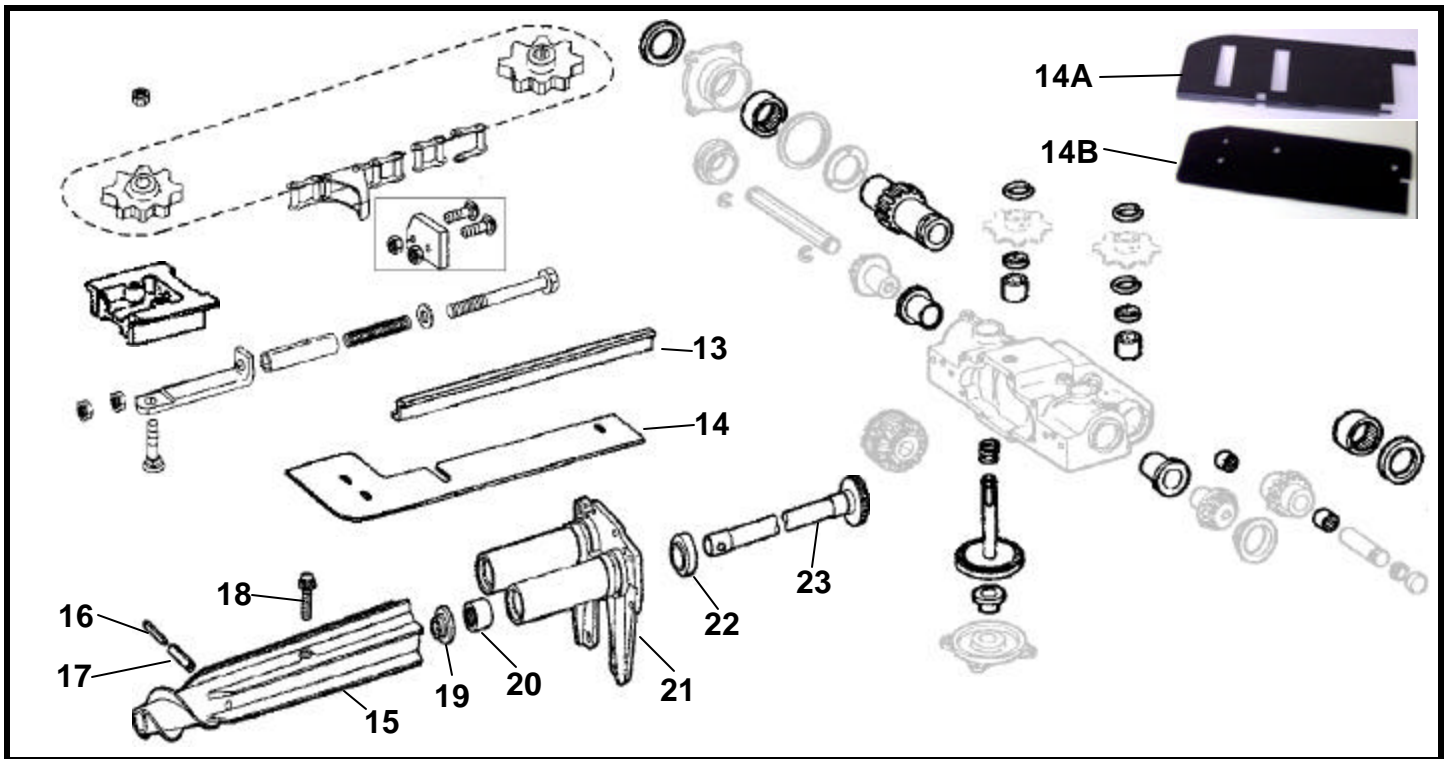
JD ROW UNIT - SPROCKETS & CHAINS



ITEM #	PART #	DESCRIPTION	APPLICATION	REPLACES	WEIGHT
1	VHAH101219	Greasable Idler	40 & 90 Series	AH101219	1.56
	VHAN102448	Non-Greasable Idler	40 & 90 Series	AN102488	
2	VHH85252	Hex 8 Tooth Upper Drive Gear	40 & 90 Series	H85252	2.34
	VHH85252-G	Hex 8 Tooth Upper Drive Gear (Heat Treated)	40 & 90 Series	H85252	2.34
3	VHAN102009	Gathering Chain	40 & 90 Series	AN102009	9.72
4	VHH20989KIT	Poly Paddle Kit-Gathering Chain (Contains 1Paddle, 2 Bolts & 2 Nuts)	40 & 90 Series	H209897 H209898	
5	VHH84479	Lower Idler Support	40 Series	H84479	
6	VH10H1082	Idler Sprocket Support Bolt 5/8" x 2-3/4"	40 & 90 Series	10H1082	
7	VHP5/8NT	5/8" Nut (Idler Support Bolt & Tension Spring)	40 & 90 Series	14H1039	
8	VHH144503	Idler Strap	40 & 90 Series	H131700	
9	VHN104096-V	Bushing Spring Cover	40 & 90 Series	N104096	
10	VHN61703	Tension Spring, Lower Idler Support	40 & 90 Series	N61703	
11	VHP5/8FW	Tension Spring Flat Washer	40 & 90 Series	24H1373	
12	VH08H4219	Tension Spring Bolt	40 & 90 Series	08H4219	

Continued Page 14

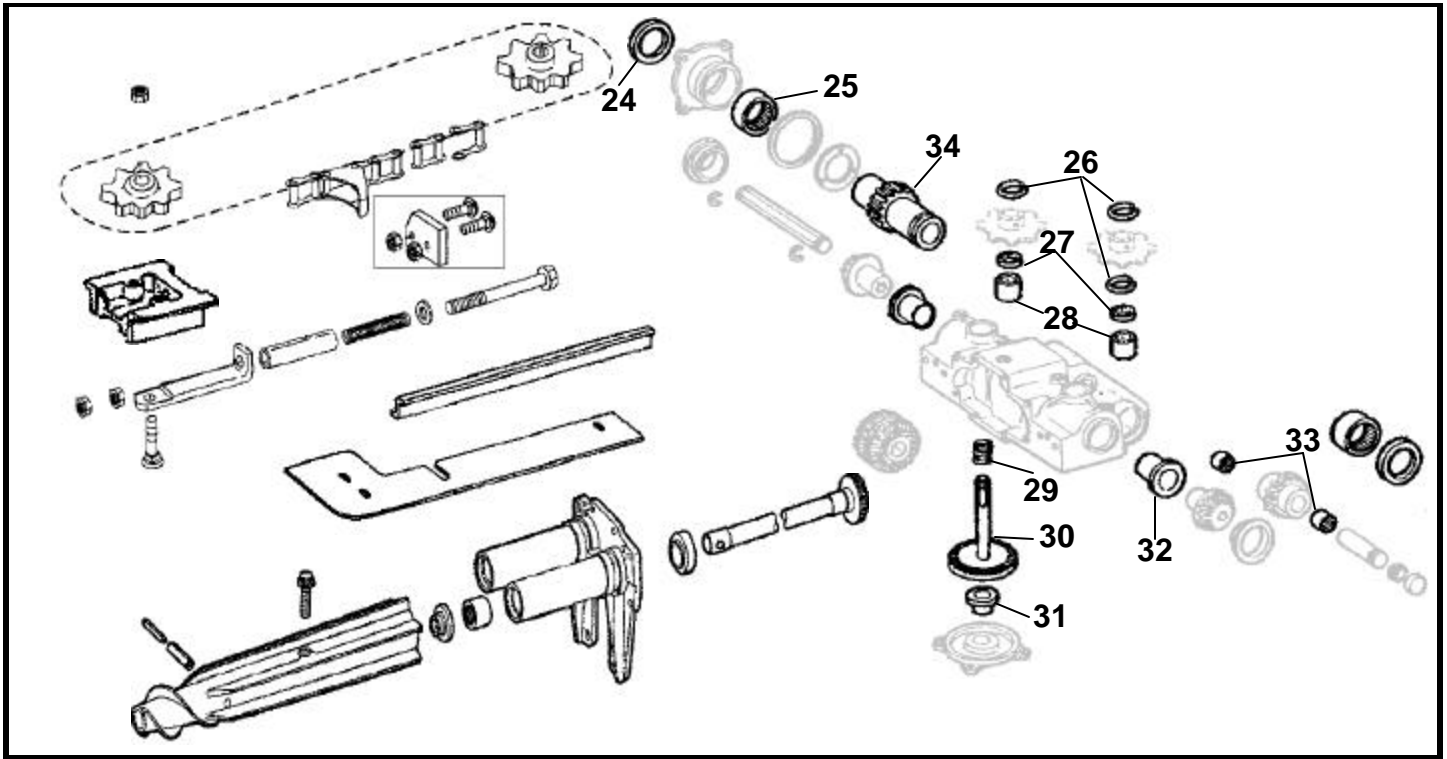
JD ROW UNIT - STALK ROLL & DECK PLATES



ITEM #	PART #	DESCRIPTION	APPLICATION	REPLACES	WEIGHT
13	VHH151211	Cast Chain Guide	40 & 90 Series	H151211	
	VHH118945	Steel Chain Guide	40 Series	H118945	
14	VHN102068	Right & Left Hand Deck Plate	40 Series Up to S/N 466450	N102068	8.94
	VHH94952	Right & Left Hand Deck Plate	40 Series with S/N 466451 & Up	H94952	7.88
14	VH154270-N	Right Hand Deck Plate (Hydraulic Deck Plates)	90 Series	H154270	8
14A	VHAH147773-N	Left Hand Deck Plate (Hydraulic Deck Plates)	90 Series	AH147773	
14B	VHAH140825-N	Left Hand Deck Plate Cover (Hydraulic Deck Plates)	90 Series	AH140825	
15	VHH104090	Right Hand Roller	40 Series	H104090	19
	VHH104091	Left Hand Roller	40 Series	H104091	19
16	VHRP5/16x21/2	Stalk Roll Spring Pin Inner	40 Series	34H337	
17	VHRP1/2X21/2	Stalk Roll Spring Pin Outer	40 Series	34H373	
18	VHP1/2x21/2CS	Stalk Roll Cap Screw	40 Series	N104293	
19	VHAN102266	Stalk Roll Shaft Oil Seal	40 & 90 Series	AN102266	
20	VHJD9900	Stalk Roll Shaft Needle Bearing	40 & 90 Series	JD9900	
21	VHAH84853	Stalk Roll Barrel (Binocular)	40 & 90 Series	AH84853	
22	VHJD9415	Stalk Roll Shaft Ball Bearing	40 & 90 Series	JD9415	
23	VHAH143881	Stalk Roll Shaft	40 & 90 Series	AN143881	
	VHAH143881BK	Stalk Roll Barrel Bearing & Seal Kit (Includes 2 Each of Items 19, 20 & 22)	40 & 90 Series	N/A	

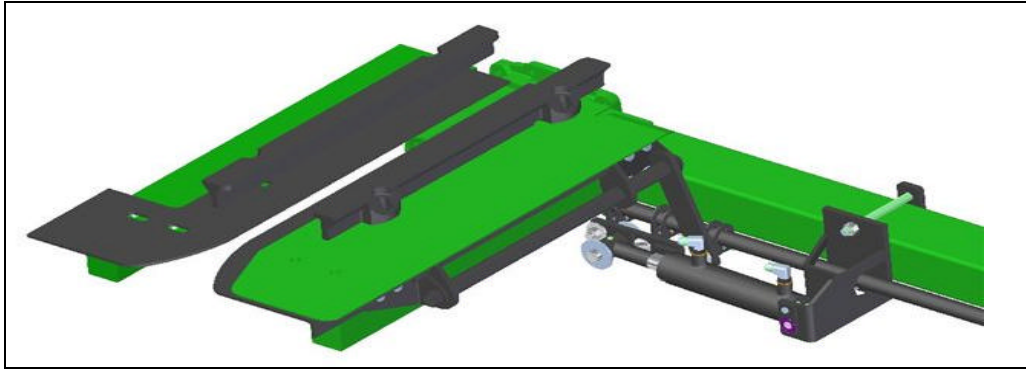
Continued Page 15

JD ROW UNIT - GEAR BOX & SHAFT



ITEM #	PART #	DESCRIPTION	APPLICATION	REPLACES	WEIGHT
24	VHAN102006	Input Spur Gear Oil Seal	40 & 90 Series	AN102006	
25	VHJD8896-N	Input Spur Gear Needle Bearing	40 & 90 Series	JD8896	
26	VHC17964	Drive Sprocket Snap Ring	40 & 90 Series	C17964	
27	VHAN71326-N	Drive Sprocket Shaft Oil Seal	40 & 90 Series	AN71326	
28	VHH83875-N	Drive Sprocket Hex Shaft Upper Bushing	40 & 90 Series	H83875	
29	VHN102221-N	Drive Sprocket Hex Shaft LH Spring	40 & 90 Series	N102221	
	VHN102220-N	Drive Sprocket Hex Shaft RH Spring	40 & 90 Series	N102220	
30	VHAH83880-R	Drive Sprocket Hex Shaft - Rebuilt (New Shaft - Used Gear)	40 & 90 Series	AH83880	
31	VHN102029-N	Drive Sprocket Hex Shaft Lower Bushing	40 & 90 Series	N102029	
32	VHN102030-N	Bevel Pinion Bushing	40 & 90 Series	N102030	
33	VHJD8877-N	Idler Gear Needle Bearing	40 & 90 Series	JD8877	
34	VHH107779	Input Gear 17 Teeth	40 & 90 Series	N102015 H107779	
	VHAH83880BK	Drive Sprocket Hex Shaft Bushing & Seal Kit (Includes 2 Each of Items 27, 28, 31 & 4 of Item 26)	40 & 90 Series	N/A	
	JDRUBK	John Deere Row Unit Bearing & Seal Kit (Includes 2 Each of Items 19, 20, 22, 24, 25, 27, 28, 29, 31, 32, 33 & 4 of Item 26)	40 & 90 Series	N/A	

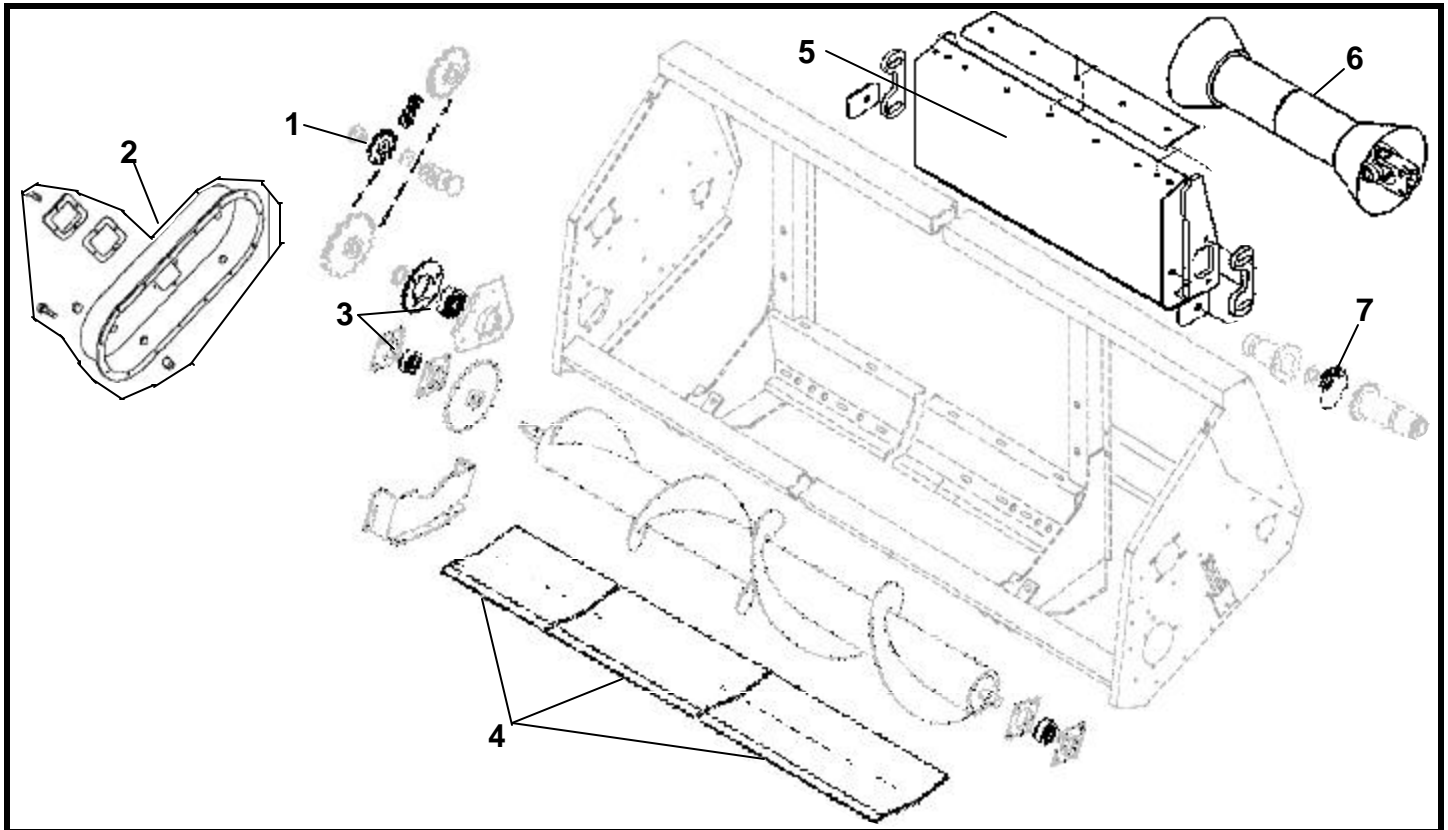
JD HYDRAULIC DECK PLATE KITS



Today's new hybrid corn has a great variance in the stalk thickness, and changing your deck plate width is time consuming. Newer heads with hydraulic adjusting deck plates are expensive. You hate to trade off the head you have as you have it in great working condition. You can update the head you have by adding hydraulic adjusting deck plates produced by VH MFG, Inc.

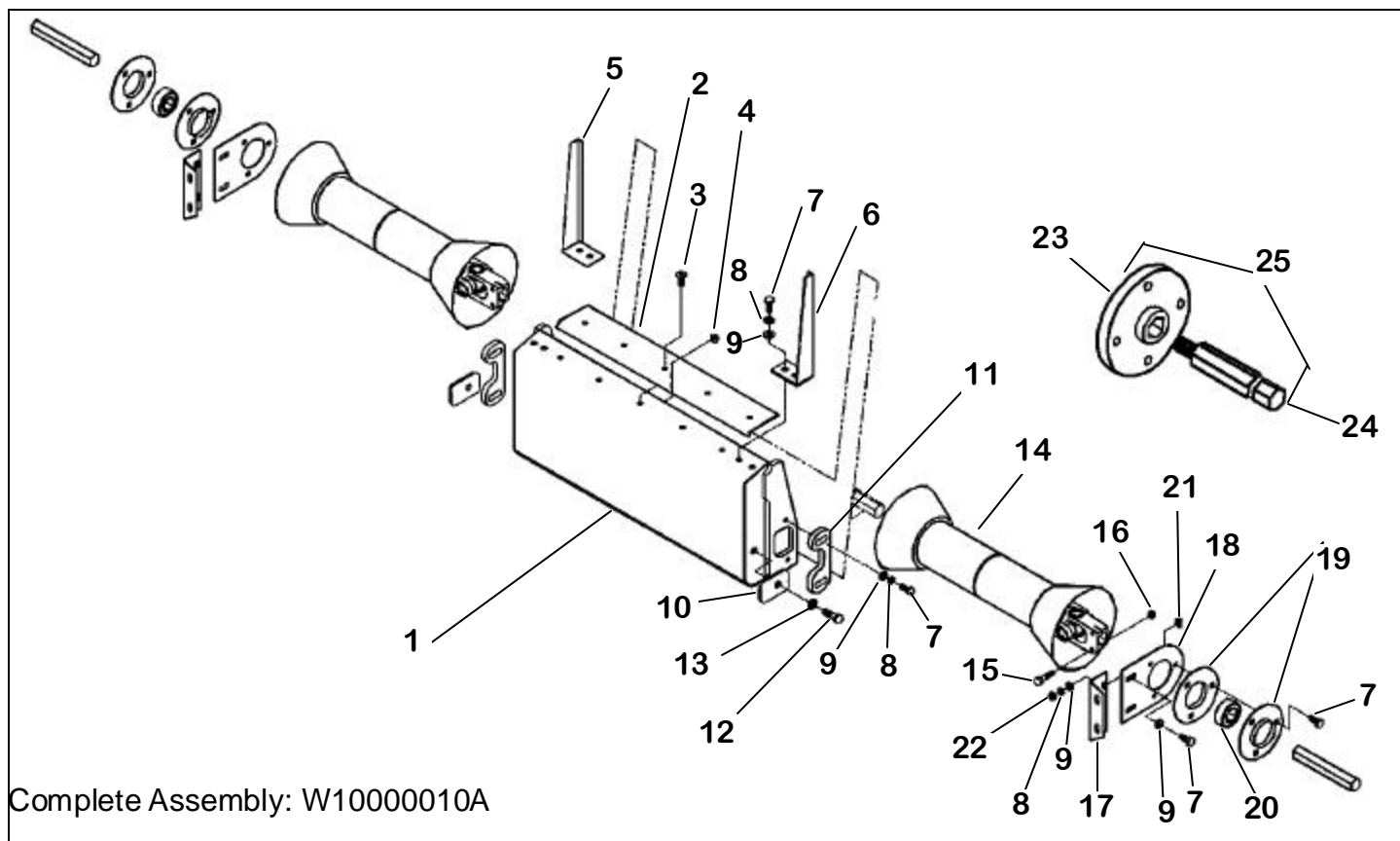
PART #	DESCRIPTION	APPLICATION	WEIGHT
JDHDK6-20	JD 20" 6 Row Conversion Kit	642, 692	
JDHDK8-20	JD 20" 8 Row Conversion Kit	842, 892	
JDHDK12-20	JD 20" 12 Row Conversion Kit	1242, 1292	
JDHDK16-20	JD 20" 16 Row Conversion Kit	1642, 1692	
JDHDK18-20	JD 20" 18 Row Conversion Kit	1842, 1892	
JDHDK4-30	JD 30" 4 Row Conversion Kit	443, 493	
JDHDK6-30	JD 30" 6 Row Conversion Kit	643, 693	
JDHDK8-30	JD 30" 8 Row Conversion Kit	843, 893	
JDHDK12-30	JD 30" 12 Row Conversion Kit	1243, 1293	
JDHDK4-36	JD 36" 4 Row Conversion Kit	444, 494	
JDHDK6-36	JD 36" 6 Row Conversion Kit	644, 694	
JDHDK8-36	JD 36" 8 Row Conversion Kit	844, 894	
JDHDK12-36	JD 36" 12 Row Conversion Kit	1244, 1294	
JDHDK4-38	JD 38" 4 Row Conversion Kit	445,	
JDHDK6-38	JD 38" 6 Row Conversion Kit		
JDHDK8-38	JD 38" 8 Row Conversion Kit		
JDHDK12-38	JD 38" 12 Row Conversion Kit		
JDHDK4-40	JD 40" 4 Row Conversion Kit		
JDHDK6-40	JD 40" 6 Row Conversion Kit		
JDHDK8-40	JD 40" 8 Row Conversion Kit		
JDHDK12-40	JD 40" 12 Row Conversion Kit		

JD DRIVE SHIELD, AUGER LINER & WEDGE KIT



ITEM #	PART #	DESCRIPTION	APPLICATION	REPLACES	WEIGHT
1	VH06015E10	Row Unit & Cross Auger Idler Sprocket 15 Tooth	40 & 90 Series	AE27909	
2	VHAH143225-N	Oil Drive Shield Assembly - Plastic	40 Series & 90 Series (-695300)	AH143225	
3	VH207KRRB12	Hex Shaft Ball Bearing 1-1/8"	40 & 90 Series	AN102010	
4	4-30-AL	4 Row UHMW Auger Liner Kit - 30"	40 & 90 Series	N/A	
	6-30-AL	6 Row UHMW Auger Liner Kit - 30"	40 & 90 Series	N/A	
	8-30-AL	8 Row UHMW Auger Liner Kit - 30"	40 & 90 Series	N/A	
	12-30-AL	12 Row UHMW Auger Liner Kit - 30"	40 & 90 Series	N/A	
	4-36-AL	4 Row UHMW Auger Liner Kit - 36"	40 & 90 Series	N/A	
	6-36-AL	6 Row UHMW Auger Liner Kit - 36"	40 & 90 Series	N/A	
	8-36-AL	8 Row UHMW Auger Liner Kit - 36"	40 & 90 Series	N/A	
5	W10000010A	Wedge Kit with PTO Shaft - Complete (See next page for components list breakdown)	All Heads		
6	M20232	PTO Shaft Assembly with Hex Shaft Ends (Also Available w/Splined End)	All Heads		
	M23796	PTO Shaft Assembly with Hex Clamp End & 21 Spline Coupled End			
7	VHAN102383	Drive Coupler Chain Assembly	40 & 90 Series	AN102383	1.06

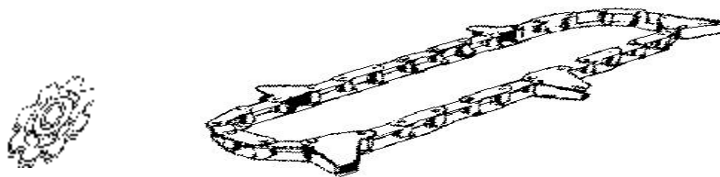
JD Wedge Kit With PTO Shaft



Complete Assembly: W10000010A

ITEM #	PART #	QTY	DESCRIPTION
1	W1000010	1	John Deere Wedge
2	W1000003	1	Wedge Spacer
3	P5/16X3/4PHS	5	5/16" x 3/4" NC Pan Head Screw
4	P5/16FN	5	5/16" NC Flange Nut
5	W1000009	1	RH Wedge Spacer
6	W1000008	1	LH Wedge Spacer
7	P3/8X1CS	22	3/8" x 1" NC Cap Screw
8	P3/8LW	16	3/8" Lock Washer
9	P3/8FW	20	3/8" Flat Washer
10	W1000006	2	Wedge Hold Down
11	W1198	2	Wedge Adjustment Bracket
12	P1/2X1 1/2CS	2	1/2" x 1 1/2" NC Cap Screw
13	P1/2LW	2	1/2" Lock Washer
14	M20232	2	PTO Shaft
15	P1/2X2 1/2CS	8	1/2" x 2 1/2" NC Cap Screw
16	P1/2SLNT	8	1/2" NC Self Locking Nut
17	W71498	2	Bearing Adjustment
18	W71598	2	Bearing Holder
19	72MS	4	Bearing Flange
20	207KRRB12	2	Bearing
21	P3/8FN	6	3/8" NC Flange Nut
22	P3/8NT	8	3/8" NC Nut
23	W1000011	1	Hub
24	W1000012	1	Shaft
25	W1000015	1	JD 8820 & 9600 LH Drive Kit

GLENER GATHERING CHAINS & SPROCKETS

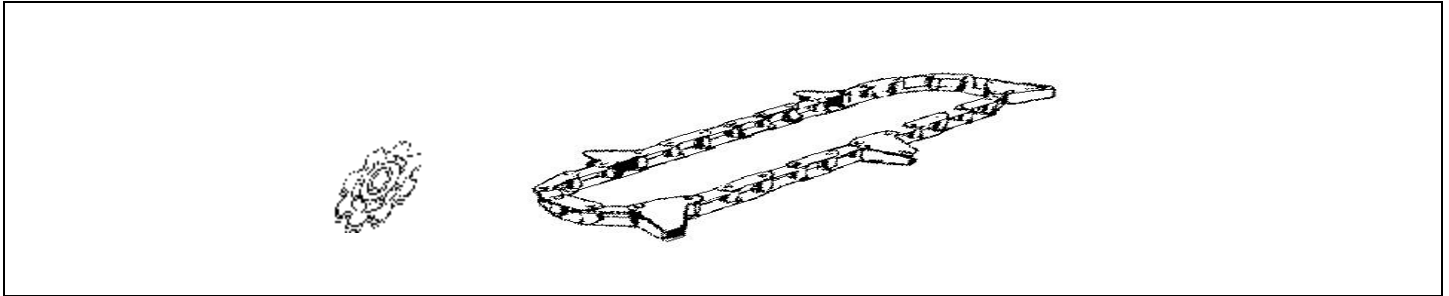


PART #	DESCRIPTION	APPLICATION	REPLACES	WEIGHT
VH70577247	Gathering Chain Drive Sprocket 9 Tooth	Orange & Black Heads 1981-1987	70577247	3.12
VH71391292	Gathering Chain Drive Sprocket 8 Tooth	All Hugger Heads	71391292	2.6
VH70536109	Gathering Chain	2A 3E C240	70536109	12.5
VH70561228	Gathering Chain	1969-72 Low Profile Heads	70561228	10.56
VH70573640	Gathering Chain	1973-76 Low Profile Heads	70573640	10.5
VH70574793	Gathering Chain	1977-89 Black Heads Adjustable Models	70574793	11
VH71505705	Gathering Chain	After 1990 Hugger Models	71505705	10.35
VH70595084	Lower Idler Sprocket 8 Tooth	All Black Heads 77-89	70595084	1.6
VH71359125	Lower Idler Sprocket 8 Tooth	After 1990 Hugger Models	71359125	1.5
VH70586591	Corn Head Knife		70586591	11.36

MASSEY FERGUSON GATHERING CHAINS & SPROCKETS

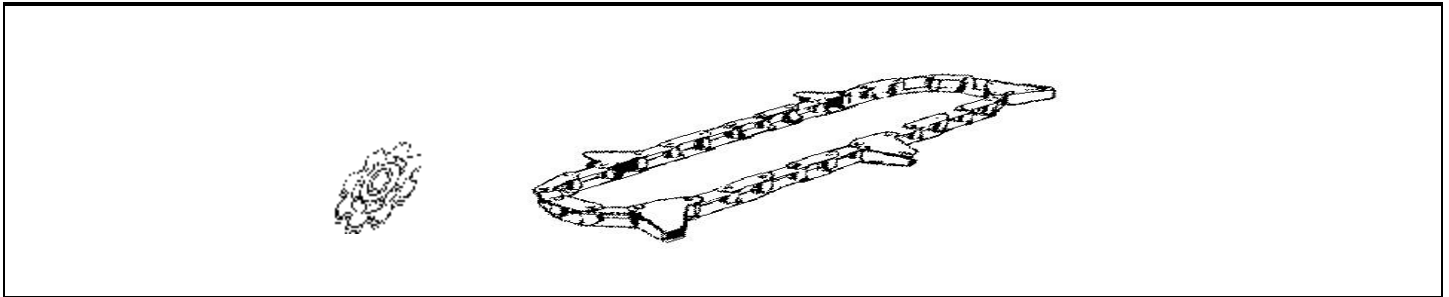
PART #	DESCRIPTION	APPLICATION	REPLACES	WEIGHT
VH241090M91	Gathering Chain	All MF Heads Except 9400 Series	241090M91	9.77
VH1689933W91	Gathering Chain	9400 Series Late	1689933W91	9.5
VH71505705	Gathering Chain	Model 3000	71505705	10.35
VH263282M1	Lower Idler Sprocket 8 Tooth 1/2" Bore	Early Model Heads	263282M1	1.35
VH844076M1	Lower Idler Sprocket 8 Tooth 5/8" Bore	Late Model 1100 Series	844076M1	1.4
VH31-1689940	Lower Idler Sprocket 10 Tooth 5/8" Bore	9400 Series S/N (47001-)	31-1689940	1.4
VH263450M93	Left Hand Stripper Plate	40 Series	263450M93	8.66
VH263453M92	Right Hand Stripper Plate	40, 1100 Series	263453M92	8.86
VH267392M92	Left Hand Stripper Plate	1100 Series	267392M92	10.76
VH264687M2	Corn Head Flute	40, 1100 Series	264687M2	2.76

NEW HOLLAND GATHERING CHAINS & SPROCKETS



PART #	DESCRIPTION	APPLICATION	REPLACES	WEIGHT
VH262179	Gathering Chain	962 Before 1977	262179	8.8
VHAN102009	Gathering Chain	974 Series	610831	9.72
VH122944	Gathering Chain	717R 741 742	122944	
VHAN102448	Lower Idler Sprocket 8 Tooth 5/8" Bore	974 Series	573399	1.64
VH703414	Left Hand Tungsten Knife	962 New Holland	703414	3.28
VH703415	Right Hand Tungsten Knife	962 New Holland	703415	3.21
VH683614	Stalk Roller	974 New Holland	683614	24

NEW IDEA GATHERING CHAINS & SPROCKETS



PART #	DESCRIPTION	APPLICATION	REPLACES	WEIGHT
VH713167	Gathering Chain	720 730 740 Series	713167	
VH745072	Gathering Chain	800 Series	745072	10.8
VH305347	Gathering Chain	324, 325, 720, 730	305347	
VH305617	Gathering Chain	319, 324, 325, 720, 730	305617	
VH746608	Gathering Chain	6500 Series	746608	
VH70595084	Lower Idler Sprocket 8 Tooth 5/8" Bore	800 & 6500 Series	745023	1.64